

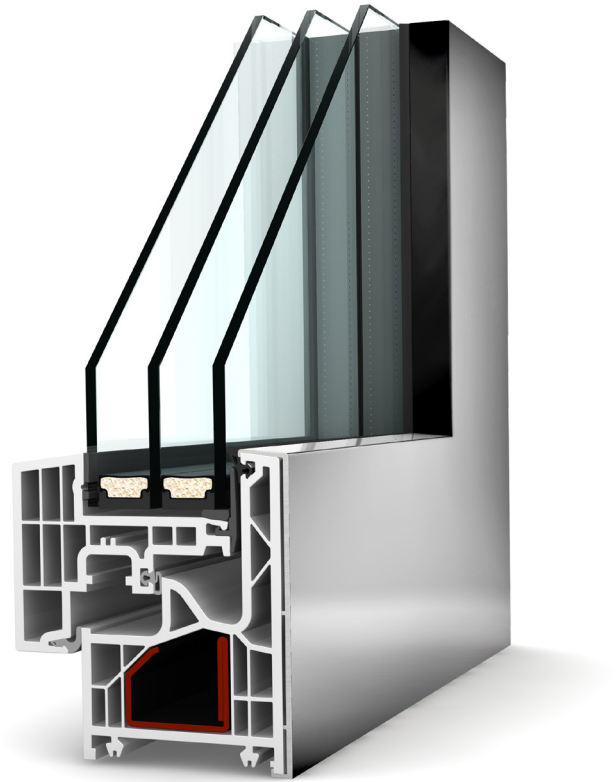
studio KF 220

UPVC &
UPVC/ALUMINIUM WINDOW

TECHNICAL DATA:

- Design** Sash in Vetro design allows frameless architecture
Glass sash - no difference in outside view between fixed and openable elements
Frameless glass architecture - window can be rendered on three sides
- Thermal insulation** Thermal insulation with standard triple glazing LIGHT ($U_g = 0.5 \text{ W/m}^2\text{K}$) $U_w = 0.74 \text{ W/m}^2\text{K}$
Best thermal insulation
 U_w up to $0.67 \text{ W/m}^2\text{K}$ (with corresponding glazing)
- Sound insulation** Soundproofing up to 43 dB (with corresponding glazing)
- System description** 68/71 mm construction depth
FIX-O-ROUND Technology
Fully concealed standard hardware
Standard security
Triple gasket system
Narrow view width up to 98 mm

I-tec



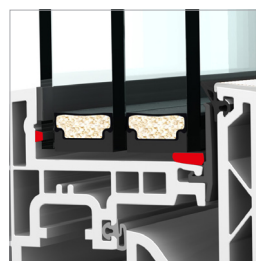
UPVC VERSION

Alongside the aluminium clad version in all colours, the classical white UPVC version is also available.



SOPHISTICATED DESIGN

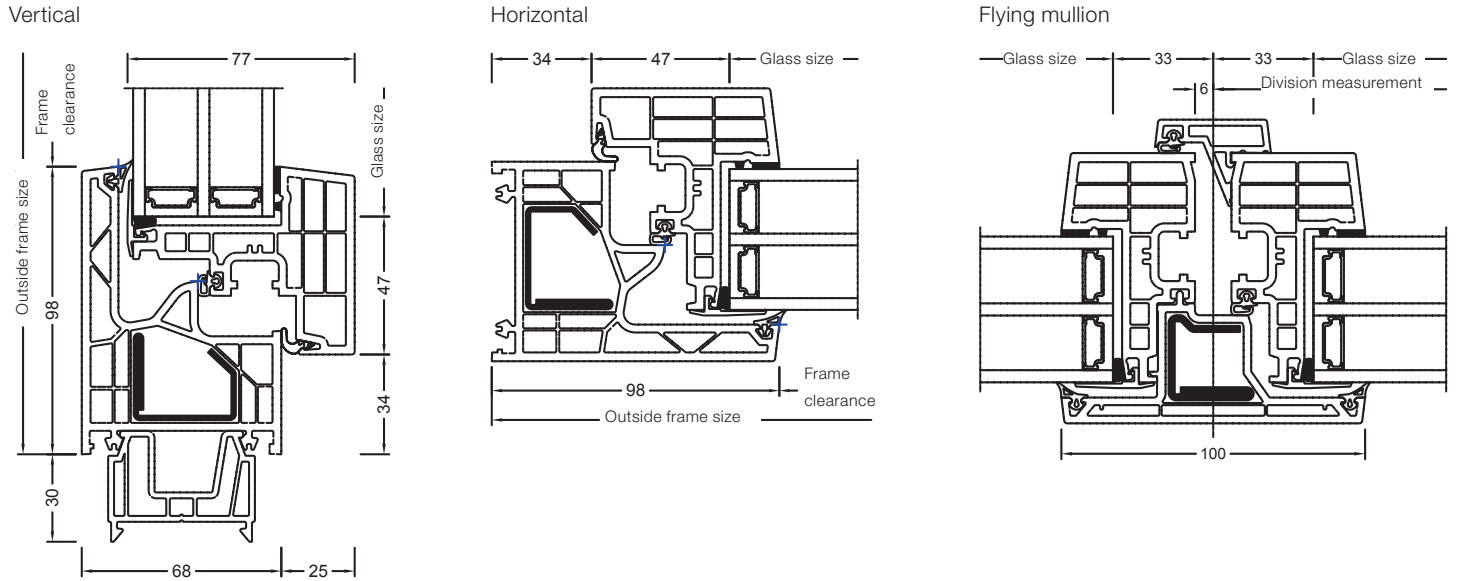
Outside Vetro design (small offset area between frame to glass edge).



I-TEC GLAZING FIX-O-ROUND TECHNOLOGY

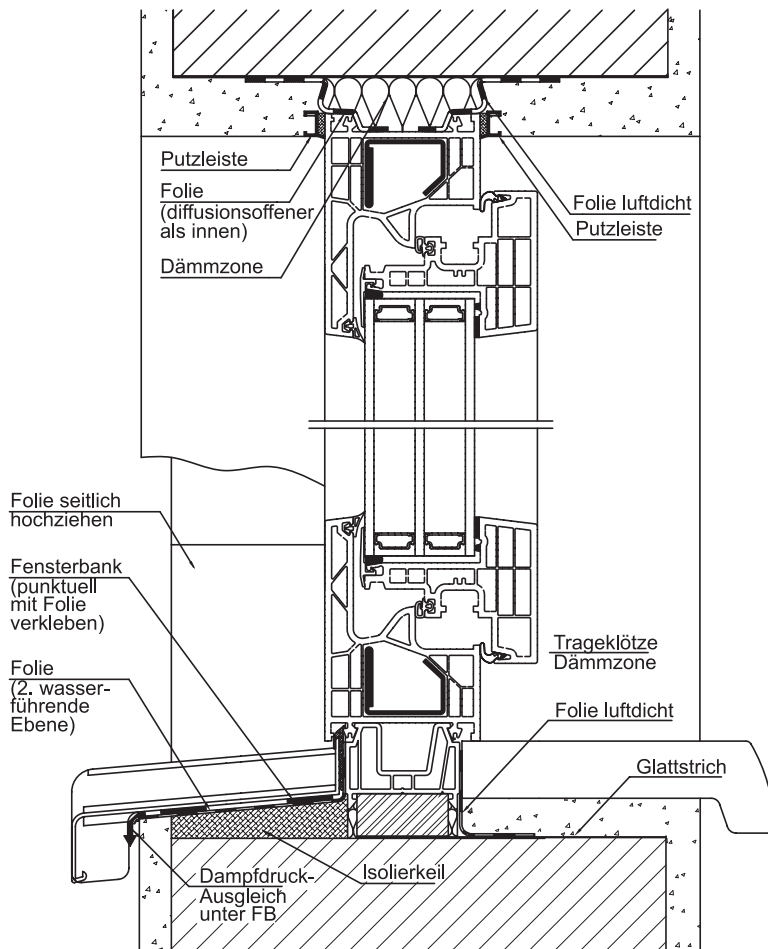
Continuous all around fixing of the glass pane for better stability, thermal and sound insulation, burglary protection and functioning security.

Sectional drawings

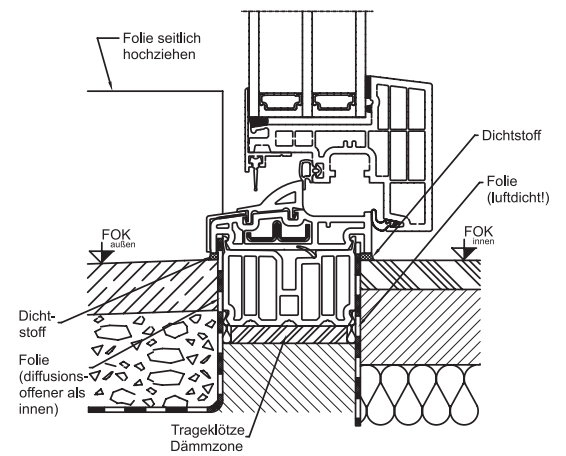


Construction connections

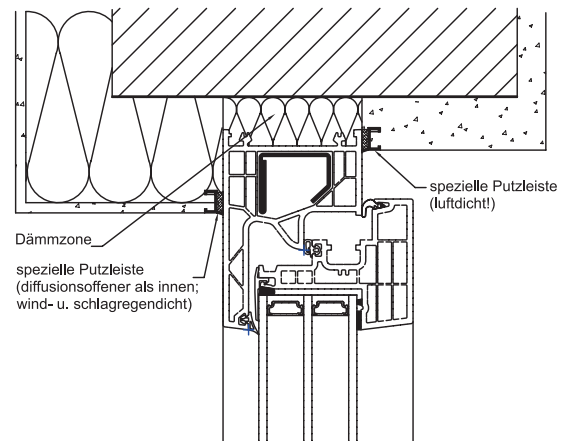
Putzanschluss innen und außen.
 Unterer Anschluss mit Alu-Sohlbank.



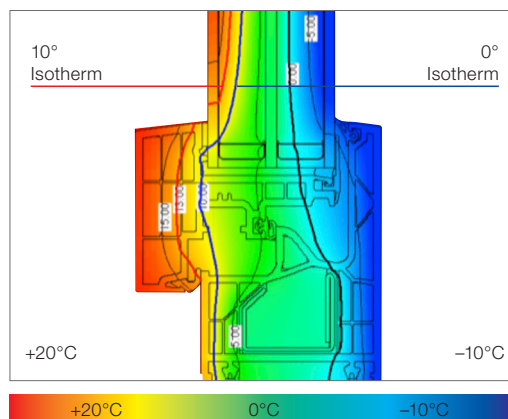
Unterer Anschluss mit Bodenschwelle.



Oberer Anschluss mit Vollwärmeschutz.



ATTENTION! The depicted drawing is symbolical only, please observe national fitting instructions such as ÖNORM B5320 in its respective valid version.



Optimal isotherm gradient to ensure low amounts of condensation

Due to the deep glass position, enorme construction depth and the directly glued window panes glazing LIGHT ($U_g = 0.5 \text{ W/m}^2\text{K}$) can achieve a sensational U_w value of $0.74 \text{ W/m}^2\text{K}$ (with ISO spacer).

Technical information

5 chamber UPVC profile with all around glueing of the panes and sendzimir-galvanised reinforcement profile in the frame:

- Inside: white
- Outside: available in white or with aluminium clad in all RAL colours as well as attractive timber decor, metallic decor, HF, HFM and 'stainless steel look' colours
- Frame profile with construction depth of 68 mm, in UPVC/aluminium version with 71 mm
- Sash profile with construction depth of 77 mm
- 2 gaskets in sash profile (stopper and centre gasket) in light grey
- Stopper gaskets in frame – choice of light grey or black
- Frame and post connections are welded
- Glazing thickness 48 mm
- Fitting versions: wall cramp, rawl plug or screw fitting
- Glass panes glued all around and sealed with transparent silicone

Values

System	Glass construction	Glass code	Spacer	Coating	U _g	U _f	Psi	U _w	Thermal Certificate	R _w	C	C _{tr}	Sound Certificate	
KF200	4/16Ar/b4	20L	Iso	light	1.1	1.2	0.040	1.2	yes	34	-2	-5	yes	
			Alu	light	1.1	1.2	0.064	1.3	yes	34	-2	-5	yes	
	8/12Kr/b4	2KA	Iso	light	1.0	1.2	0.040	1.2	yes	39	-2	-4	yes	
			Alu	light	1.0	1.2	0.064	1.2	yes	39	-2	-4	yes	
	4b/12Ar/4/12Ar/b4	3NK	Iso	light	0.7	1.2	0.038	0.95	yes	33	-1	-5	yes	
				solar+	0.8	1.2	0.038	1.0	yes	33	-1	-5	yes	
			Alu	light	0.7	1.2	0.071	1.0	yes	33	-1	-5	yes	
				solar+	0.8	1.2	0.71	1.1	yes	33	-1	-5	yes	
	4b/14Ar/4/14Ar/b4	38K	Iso	light	0.6	1.2	0.038	0.88	yes	33				no
				solar+	0.7	1.2	0.038	0.95	yes	33				no
			Alu	light	0.6	1.2	0.071	0.96	yes	33				no
				solar+	0.7	1.2	0.071	1.0	yes	33				no
	6b/10Ar/5/10Ar/b5	3P5	Iso	light	0.8	1.2	0.038	1.0	yes	39				no
			Alu	light	0.8	1.2	0.071	1.1	yes	39				no

Internorm Windows UK Ltd

Unit D, Colindale Business Park
 2-10 Carlisle Road, NW9 0HN, London
 Tel.: +44 (0) 208 205 9991
 Fax: +44 (0) 208 905 8744
 Email: office@internorm.co.uk